



Technical Specification

Product fiche		
Trademark	Technika	
Model ID	24F22B-HD	24F22B-HD/DVD
Energy efficiency class	A	
Visible screen size (diagonal)	60 cm / 23.6 inches	
On mode power consumption	25.0 W	
Annual energy consumption *1	37 kWh	
Standby power consumption *2	<0.50 W	
Off mode power consumption	N/A	
Screen resolution	1366 (H) x 768 (V)	
*1: Energy consumption XYZ kWh per year, based on the power consumption of the television operating 4 hours per day for 365 days. The actual energy consumption will depend on how the television is used.		
*2: When the TV is turned off with the remote control/standby button and no function is active.		

Additional Technical Information	24F22B-HD	24F22B-HD/DVD
RF	75 ohm Antenna / Analog / DVB	
Inputs	2 x HDMI, 1 x USB, 1 x SCART, 1x RJ45 LAN/Ethernet, 1 x Mini Composite/Video & L/R Audio shared for Composite/Video & Component/YPbPr, 1 x Mini Component/YPbPr	
Sound Outputs	1 x 3.5mm Headphone/Audio out, 1 x Digital Optical Audio Out	
Speaker / Amplifier Watts (RMS)	2 x 5 / 2 x 3	
Voltage and power consumption	110-240V 50 / 60Hz 25/40W (ecomode/max) (<0,5W in Standby) (0W in OFF mode)	110-240V 50 / 60Hz 25/50W (ecomode/max) (<0,5W in Standby) (0W in OFF mode)
Dimensions including stand (mm)	560W x 386H x 140D	
Net weight (Kgs)	4.5	4.9
Wall Mounting	VESA 100 x 100 (mm)	



The terms HDMI, HDMI High-Definition Multimedia Interface, and the HDMI Logo are trademarks or registered trademarks of HDMI Licensing Administrator, Inc.



Manufactured under license from Dolby Laboratories. Dolby, Dolby Audio, and the double-D symbol are trademarks of Dolby Laboratories Licensing Corporation.



Exclusively for **TESCO**

Quick Start Set Up Guide

For information on using the TV's features, please refer to the operating Instructions. You can download the full user guide/instruction manual at www.umc-uk.co.uk

Model Numbers

24F22B-HD

24F22B-HD/DVD

Act Now!

Register your product online within 14 days of purchase and get 6 months extra guarantee for

FREE

only at www.umc-uk.co.uk/free6

Quick & easy guide for setting up your TV

What is included in the box

Using the remote control

Setting up the TV for the first time - including attaching the stand

Connecting other devices to the Television

Need help setting up or using your TV?

Please contact the UK & ROI Helpline*

Telephone UK 0330 024 0804 or ROI 01443 3940

Online support at: www.umc-uk.co.uk

Email support at: service@umc-uk.co.uk

*Calls to 0330 numbers are charged at standard call rates and are included as part of any bundled minutes with your phone provider. Calls to the ROI number are charged at the local call rate. The telephone opening hours are:

Monday to Friday: 8.30am - 6pm
Saturday: 9am - 5pm
Bank Holidays: 10am - 4pm

Closed Christmas and New Years day



What is included in the box

- 1 x Quick Start Guide
- 1 x Remote Control and 2 x AAA Batteries
- 1 x Safety Leaflet
- 1 x RF Cable
- 1 x Power Cable
- 1 x Mini Composite/AV Cable
- 1 x Mini YPbPr Cable
- 1 x Stand Installation pack
- 1 x Neck, 1 x Base Plate + Screw Pack

Included with this TV are the following accessories:

To receive Freeview channels, in particular Freeview HD channels, you will need a Digital TV aerial and be in a good Freeview coverage area. You can check coverage for your postcode at www.freeview.co.uk. Please note that any Freeview HD channels found during tuning will be placed in channel positions above 100. For example, 101 (BBC1 HD), 102 (BBC2 HD) etc.

USB Memory sticks for recording from Freeview TV

Your TV has a built in Personal Video Recording function, meaning you can set up recordings from the TV guide directly onto a PVR ready USB memory stick. You can also pause live TV and rewind/fast forward through your recordings. See our great range of tested and compatible PVR ready USB memory sticks at www.umc-uk.co.uk/usb

Please save your box/packaging as you will need this in the event of warranty/service repair or support. We are unable to carry out warranty/service if you are unable to package it correctly. The safest way to package your item in the event of warranty/service repair is in its original box/packaging.

Using the remote control



- 1 STANDBY - Switch on TV when in standby or vice versa
- MUTE - Mute the sound or vice versa
- DTV - Switch to Freeview source
- RADIO - Switch to radio whilst in Freeview source
- USB - Switch to USB source
- DVD - Switch to DVD source
- 2 NUMBER BUTTONS - 0 - 9 to select a TV channel directly. TV GUIDE - Opens the 7 Day TV Guide (Freeview mode) - To return to the previous channel viewed
- 3 VOL (+/-) - To increase / decrease the sound level
- P.MODE - Scrolls through picture mode options
- S.MODE - Scrolls through sound mode options
- FAV - To display favourites menu
- CH (+/-) - To increase or decrease the channel being watched
- MENU - To display OSD menu
- EXIT - To exit all menus
- (▲/▼/▶/◀) - Allows you to navigate the on-screen menus and adjust the system settings to your preference
- SOURCE - To display the input/source menu
- INFO - Press once for now/next channel information
- programme
- ASPECT - To switch the screen between the different picture formats
- SLEEP - Press repeatedly to cycle through the sleep options
- AUDIO - To change the audio language (if available)
- SUBTITLE - To switch the dialogue at the bottom of the screen (on/off)
- TEXT - To enter/text Text
- TEXT HOLD - Teletext mode - Hold current page which is displayed (Analogue TV)
- DISPLAY - To switch off the screen when listening to radio
- TEXT/DVD ZOOM - Zoom function for Teletext and DVD
- DVD MENU/RECORD - Access the DVD root menu and USB record function
- 4 To restart the current chapter
- To advance forward to the next chapter
- To stop the playback/Eject Disc
- (To EJECT the disc press/hold the button for 4 seconds)
- To play in fast rewind mode
- To play in fast forward mode
- DVD SETUP/REC LIST - Opens UP DVD Menu or Opens the list of what has been previously recorded
- GOTO - To go to a specific chapter
- A-B - Press once to set point, press a second time to return to point
- ANGLE - Select different angle of DVD
- REPEAT - To repeat playback
- For Models with PVR Function
- For Models with USB Playback

Setting up the TV set for the first time

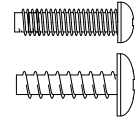
To obtain a copy of your Operating Instructions, please go to: www.umc-uk.co.uk/Manuals/Technika.php

1 Fitting the stand

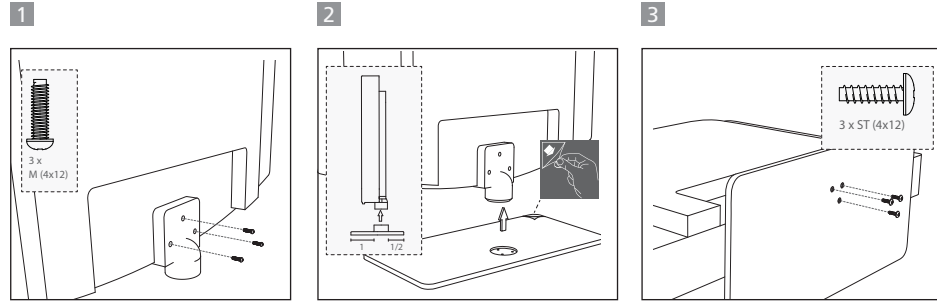
Follow steps 1 - 3 to safely install the TV stand

For stand installation, there are two types of screws provided as shown below. To complete the stand installation you will require a cross head screw driver.

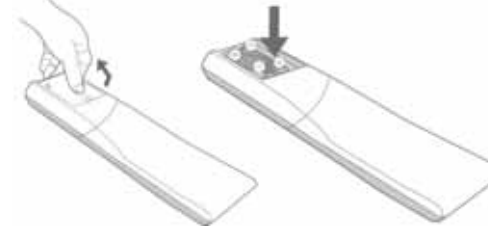
Place the TV set on a flat and clean surface with the panel facing downwards to avoid damage.



- 3 x M (4x12)**
Used for attaching the stand neck to the TV (fig.1)
- 3 x ST (4x12)**
Used for attaching the stand base to the stand neck (fig.3)

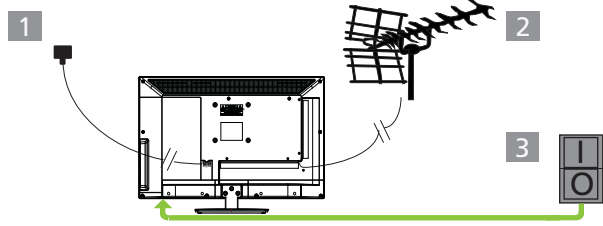


2 Installing batteries



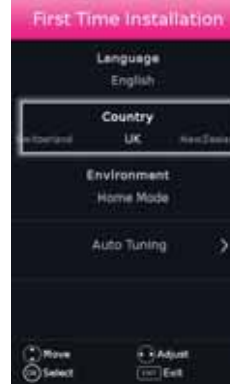
Remove the battery cover from the rear of the remote control and insert the AAA batteries which are supplied in the accessory pack. Ensure that the polarity of the batteries is as shown in the battery compartment. Replace the battery cover. The remote control is ready for use.

3 Connecting your set



- 1 Connect the TV to your power socket.
- 2 If you wish to use the TV to receive Freeview/Saorview channels, connect the RF input from the TV to your outdoor Digital TV aerial. If you do not wish to receive Freeview/Saorview, you can skip this step.
- 3 Turn on the TV power via the I/O rocker switch

4 First Time Installation



When you first turn on the set, you will be welcomed by the First Time Installation screen as shown to the left. Once you have decided the options as described below, select Auto Tuning and press OK.

Language: Select your preferred on-screen display language. This will change the language in which the menus and associated information is displayed in.

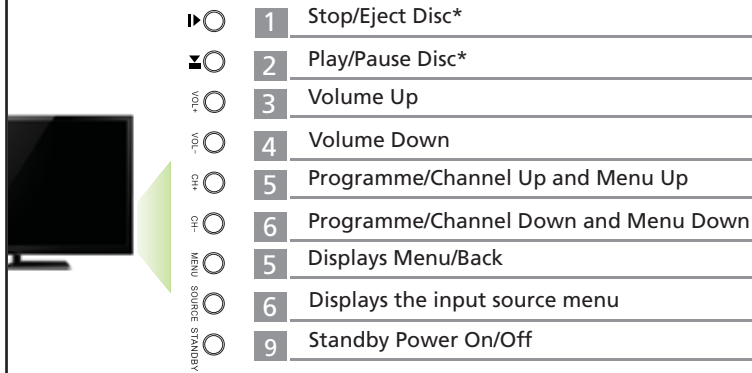
Country: Select the correct country in which the set will be used in. This will enable the TV to correctly install the functions applicable in the country of use.

Environment: Use this option to select either Home or Store mode.

Home Mode is a power saving mode which reduces the energy used by up to 25% (by reducing the power to the LED/LCD panel). When in STORE MODE the picture will be brighter and you can personalise the settings within the picture settings menu (Contrast, Brightness, Colour etc).

Note: In Home Mode, the TV will switch itself to the standby mode after 4 hours in the event that the buttons on the remote control or TV are not used.

TV Buttons



- 1 Stop/Eject Disc*
- 2 Play/Pause Disc*
- 3 Volume Up
- 4 Volume Down
- 5 Programme/Channel Up and Menu Up
- 6 Programme/Channel Down and Menu Down
- 5 Displays Menu/Back
- 6 Displays the input source menu
- 9 Standby Power On/Off

* For models with DVD function only

Wall Mounting the TV

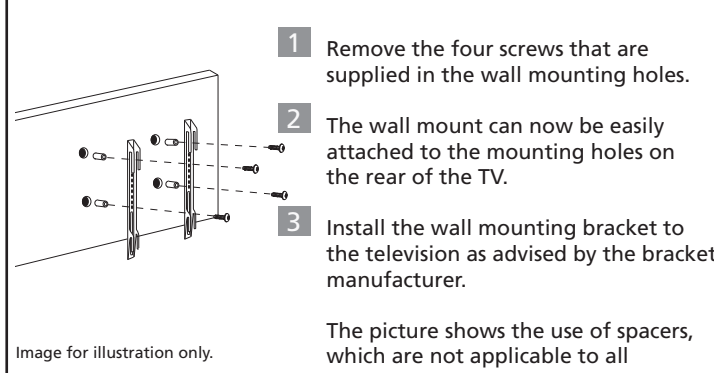


Image for illustration only.

- 1 Remove the four screws that are supplied in the wall mounting holes.
- 2 The wall mount can now be easily attached to the mounting holes on the rear of the TV.
- 3 Install the wall mounting bracket to the television as advised by the bracket manufacturer.

The picture shows the use of spacers, which are not applicable to all sets/installations.

Sky remote code

If you wish to use your Sky remote to operate the TV's basic functions, you will need a Sky remote control (Revision 9 or later) and you will need to program it with the code 2134.

If you wish to use your Sky Q remote to operate the TV's basic functions, you will need to program it with the code 4170.



USB Record

- 1 This television contains one tuner, therefore it can only record the channel you are watching or record one channel while the television is in standby mode.
- 2 **Note:** USB record function is only available in Digital/Freeview TV mode. Due to copyright laws and illegal copying/recording it is not possible to record to/from any other input/source.
- 3 If you wish to use a USB portable hard drive larger than 32GB, please refer to the FAQ section at the rear of the manual (available online).

Retuning your TV

Important information - Retuning the TV - Please keep this information to hand.

To ensure you are receiving the very latest channels on your Television, we suggest that you retune the set on a monthly basis. This is because channels can be added and/or moved by the broadcaster.

To retune using the buttons on the remote control:-

Press Menu, then press the number 8 (4 times) so Menu > 8, 8, 8, 8.

You will enter the first time installation mode. Follow the onscreen prompts to retune your set.

Thank you

Thank you for purchasing this television. We hope you have many years of trouble free enjoyment from your purchase.

Your product is covered under the manufacturers guarantee for 12 months from the date of purchase.

If you experience any difficulties with your TV, please refer to the 'Frequently asked questions' in the manual.

Please make a note of your TV model, the serial number and the date of purchase. You will need this information should you need to call the helpline.

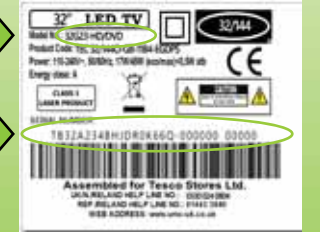
Register your product online within 14 days of purchase and get 6 months extra guarantee for FREE at: www.umc-uk.co.uk/free6

Registration must be performed online

Please have your proof of purchase/receipt as well as the model/ref and serial number to hand as you will need this during registration. You can find the model/ref and serial number either on the box/packaging or on the label on the rear of the TV.

MODEL NO.
Example: 32G23-HD/DVD

SERIAL NUMBER
Between 26-33 characters long



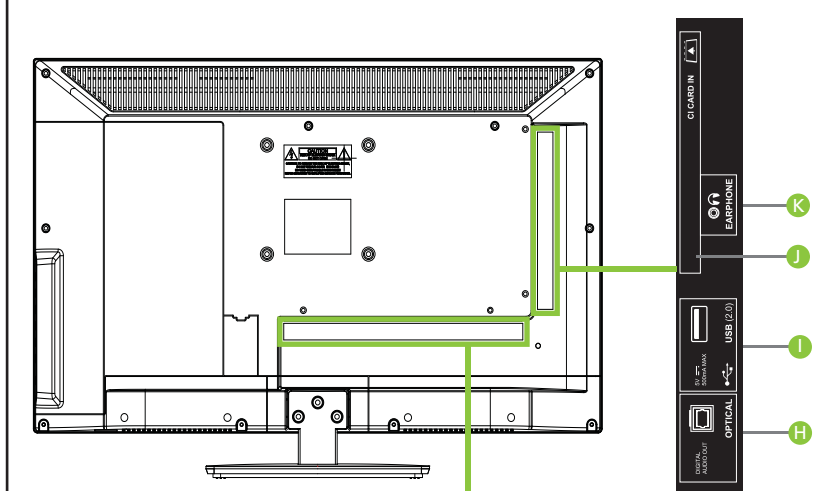
Example of label on rear of TV



The small print...

This offer is ONLY available online. Register your product at www.umc-uk.co.uk/free6 within 14 days of purchase and you will receive an extra 6 months manufacturers guarantee FREE of charge, giving you 18 months instead of the usual 12 months

Connectivity



A	Ethernet/LAN*	Network Connection	H	Optical Audio	Digital optical audio output
B	YPbPr In	Component HD input (YPbPr)	I	USB	USB port
C	AV in	Audio/Video input	J	CI card In	Common Interface Module
D	Scart	Scart input	K	Earphones	Earphone Output
E	HDMI 1 (ARC)	HDMI input			
F	HDMI 2	HDMI input			
G	RF in	RF / TV aerial input			

* The LAN/Ethernet port is used for Freeview HD services.